



BAOJE Industrial Co., Ltd.



BAOJE Tool

Special Torque Screwdriver

www.baojertools.com

Content

Introduction / 1

Features / 1

Torque Screwdriver Kit / 2



Handle of Torque Screwdriver / 3

Adapter of Torque Screwdriver / 4

Bits for Torque Screwdriver / 6

Baoje toolholders screw specifications comparison table / 9

Baoje Torque Screwdriver Introduction

► In order to standardize the cutting tool tightening, Baoje systematic cutting tools introduce a torque screwdriver to tighten the cutting tool. For Baoje cutting tool shank different diameters of $\varnothing 3$, $\varnothing 4$, $\varnothing 5$, $\varnothing 6$, $\varnothing 8$, different torque screwdrivers are used to tighten the cutting tool. There is a cue sound feature, when the preset torque is reached, a Click sound will be made, which can prevent the operator from using excessive force to break the cutting tool and increase the stability of the cutting tool tightening.

► Baoje torque screwdriver is assembled with three parts. First part is the screwdriver handle, which is suitable for various torque applications; the second part is the preset torque adapter. We made different preset torque adapters according to different Baoje cutting tool shank diameters of $\varnothing 3$, $\varnothing 4$, $\varnothing 5$, $\varnothing 6$, $\varnothing 8$. And there are color management and important lasered information on the adapter to prevent operator making mistakes; Third part is the screwdriver bit. The screw specifications on the Baoje toolholder are mainly M4 and M5. The required screwdriver bit specifications are H2.0 and H2.5. In addition, we also provide TX8, TX9, TX10, TX15. These screwdriver bit allows customers to tighten the CNC inserts. These three parts can be replaced flexibly, which is very convenient and safe for the operator.

Baoje Torque Screwdriver Feature



Quick and flexible interchangeable



Reversible loosen system



Click sound



Cutting tool tightening standardization

Torque Screwdriver Kit

► Torque Screwdriver Kit Introduction

Baoje systematic cutting tool made five kits for preset torque adapter and bits according to different Baoje cutting tool shank diameters of Ø3, Ø4, Ø5, Ø6, and Ø8 for customers to choose. Torque screwdriver is assembled with three parts.

First part /

First part is the screwdriver handle, which is suitable for various torque applications.

Second part /

The second part is the preset torque adapter. We made different preset torque adapters according to different Baoje cutting tool shank diameters of Ø3, Ø4, Ø5, Ø6, Ø8. Torque adapter has a cue sound feature, when the preset torque is reached will make a click sound continuously. And there are color management and important lasered information on the adapter to prevent operator making mistakes.

Third part /

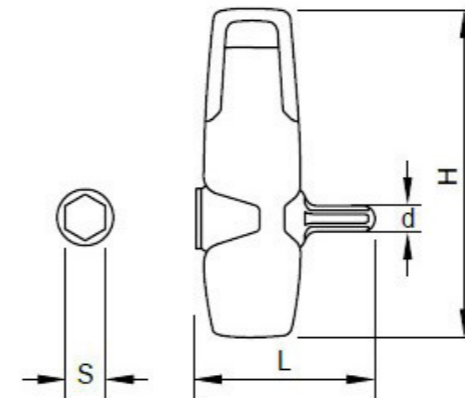
Third part is the screwdriver bit. The screw specifications on the Baoje toolholder are mainly M4 and M5. The required screwdriver bit specifications are H2.0 and H2.5. In addition, we also provide TX8, TX9, TX10, TX15. These screwdriver bit allows customers to tighten the CNC inserts. These three parts can be replaced flexibly, which is very convenient and safe for the operator, special attention should be paid to when assembling the bit, it is necessary to assemble the corresponding torque adapter, because the smaller specification bit cannot withstand the heavier torque adapter, will easy damage the bit and may cause the bit to fall off.

► Baoje Torque Screwdriver Kit

Item No.	Handle	Adapter	Contents		
			H2.0	H2.5	TX
BJ-TSD-NO-3	BJ-TRF * 1 pc	BJ-ADA-NO-3 * 1 pc	1 pc	2 pcs	TX8 * 2 pcs
BJ-TSD-NO-4	BJ-TRF * 1 pc	BJ-ADA-NO-4 * 1 pc	1 pc	2 pcs	TX9 * 2 pcs
BJ-TSD-NO-5	BJ-TRF * 1 pc	BJ-ADA-NO-5 * 1 pc	1 pc	2 pcs	TX10 * 2 pcs
BJ-TSD-NO-6	BJ-TRF * 1 pc	BJ-ADA-NO-6 * 1 pc	0	3 pcs	TX15 * 2 pcs
BJ-TSD-NO-8	BJ-TRF * 1 pc	BJ-ADA-NO-8 * 1 pc	0	3 pcs	TX15 * 2 pcs

Handle

Handle item number: BJ-TRF /



Handle specification /

Item No.	Color	S	L	H	d	N.W.
BJ-TRF	Red	6.35	70.7	37.5	5	25g

► Handle of Torque Screwdriver Introduction

The handle of torque screwdriver will affect operator tightening method and the way of applying force, Baoje torque screwdriver handle BJ-TRF allows the operator to use it easily and effectively. Baoje torque screwdriver handle is with large support areas for thumb and index finger on the ergonomically shaped handles. The transmission of high torques is thus quite simple. Cylindrical handle shaft for quick turning of screws. Suitable various torque applications. It is recommended to apply to 0.6~5.0Nm, TX6~TX20. Baoje torque screwdriver handle can use with Baoje torque adapters BJ-ADA-NO-3, BJ-ADA-NO-4, BJ-ADA-NO-5, BJ-ADA-NO-6 and BJ-ADA-NO-8.

Adapter of Torque Screwdriver

▶ Adapter of Torque Screwdriver Introduction

The function of the torque adapter is to fix the torque, which can ensure that different operators have a fixed force when tightening the tool. There is no need to worry about the tightening force being too light, which will cause the tool too loosen during processing; there is no need to worry about the tightening force too heavy, causing damage to the screw, damage to the screwdriver bit, or breaking of the tool. We made 5 different preset torque adapters according to different Baoje cutting tool shank diameters of Ø3, Ø4, Ø5, Ø6, Ø8 for customer to choose. Torque adapter has a cue sound feature, when the preset torque is reached will make click sound. And there are color management and important lasered information on the adapter.

▶ Adapter of Torque Screwdriver Characteristic



Reversible loosening system



Torque adapter can tighten about 20,000 times



Torque adapter torque value is with a tolerance of +/- 10%



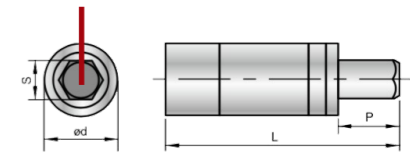
Magnet adsorption design



Please pay special attention: Baoje provided 5 types of torque adapters have different torque values. Each torque adapter needs to be used with a suitable screwdriver bit to avoid damage to the screw or screwdriver bit.

▶ Adapter of Torque Screwdriver

Installed with magnet



BJ-ADA-NO-3 /

Item No.	Suit for BAOJE Tool	Suit for BIT	Nm	Ød	S	P	L	N.W	Contents
BJ-ADA-NO-3	Ø3	H2.0 / H2.5 / TX8	1.2	12	6.35	10	37	80g	1 pc

BJ-ADA-NO-4 /

Item No.	Suit for BAOJE Tool	Suit for BIT	Nm	Ød	S	P	L	N.W	Contents
BJ-ADA-NO-4	Ø3 / Ø4	H2.0 / H2.5 / TX9	1.4	12	6.35	10	37	80g	1 pc

BJ-ADA-NO-5 /

Item No.	Suit for BAOJE Tool	Suit for BIT	Nm	Ød	S	P	L	N.W	Contents
BJ-ADA-NO-5	Ø5 / Ø6	H2.0 / H2.5 / TX10	2.0	12	6.35	10	37	80g	1 pc

BJ-ADA-NO-6 /

Item No.	Suit for BAOJE Tool	Suit for BIT	Nm	Ød	S	P	L	N.W	Contents
BJ-ADA-NO-6	Ø5 / Ø6	H2.5 / TX15	3.0	12	6.35	10	37	80g	1 pc



Please pay special attention: Baoje torque adapter BJ-ADA-NO-6 do not install with the BJ-BIT50-H2.0 screwdriver bit to tighten the M4 screw, because the torque value is too large that might cause the screw and the bit damaged.

BJ-ADA-NO-8 /

Item No.	Suit for BAOJE Tool	Suit for BIT	Nm	Ød	S	P	L	N.W	Contents
BJ-ADA-NO-8	Ø8	H2.5 / TX15	3.5	12	6.35	10	37	80g	1 pc



Please pay special attention: Baoje torque adapter BJ-ADA-NO-8 do not install with the BJ-BIT50-H2.0 screwdriver bit to tighten the M4 screw, because the torque value is too large that might cause the screw and the bit damaged.

Bits for Torque Screwdriver

► Bits for Torque Screwdriver Introduction

According to screw shape and specification, the screwdriver bit can be divided into hexagonal screwdriver bit and TORX® TX screwdriver bit. Hex screwdriver bits can be tighten Baoje toolholders, TORX® TX screwdriver bits are widely used in CNC inserts. Baoje provide 2 hex and 4 TX screwdriver bits according to screw specifications. Baoje toolholder screw specifications are M4 and M5, when M4 screw, use H2.0 screwdriver bit, when M5 screw, use H2.5 screwdriver bit. Baoje provide TX8, TX9, TX10, TX15 screwdriver bits that can tighten CNC inserts.

► Bits for Torque Screwdriver Characteristic



Hex screwdriver bits can tighten Baoje toolholder M4 and M5 screws



Simple operation



magnetic design



the screwdriver bit is not loosen during operation

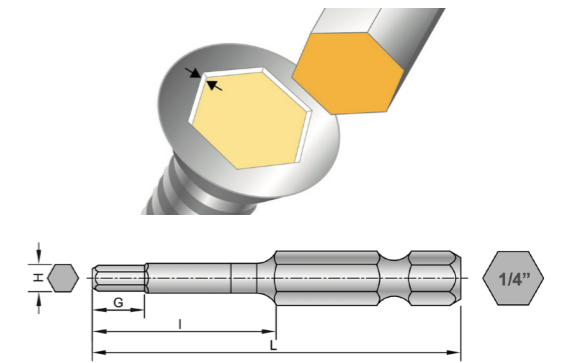


TX screwdriver bits can tighten CNC inserts screw



Please pay special attention: When using the screwdriver bit, it is important to note that the screwdriver bit and screw with relatively small specifications are not suitable for the use of torque adapter with large torque value, because excessive torque will easily damage the screwdriver bit and screw.

► Product specification - Hex screwdriver bit



BJ-BIT50-H2.0 /

Item No.	Driver Size	Suit for Screw	N.W	L	Contents
BJ-BIT50-H2.0	H2	M4	53g	50	6 pcs



Baoje toolholder series that uses M4 screw: BJA-16, BJA-17, BJA-1905, BJA-23, BJA32, BJN-23, BJJ-16, BJR-22.



Baoje torque adapters to be used with: BJ-ADA-NO-3, BJ-ADA-NO-4, BJ-ADA-NO-5.



Please pay special attention: Baoje screwdriver bit BJ-BIT50-H2.0 can withstand maximum torque of 2.0 Nm, use Torque adapter torque value larger than 2.0 Nm will damage the screwdriver bit and the screw.

BJ-BIT50-H2.5 /

Item No.	Driver Size	Suit for Screw	N.W	L	Contents
BJ-BIT50-H2.5	H2.5	M5	58g	50	6 pcs

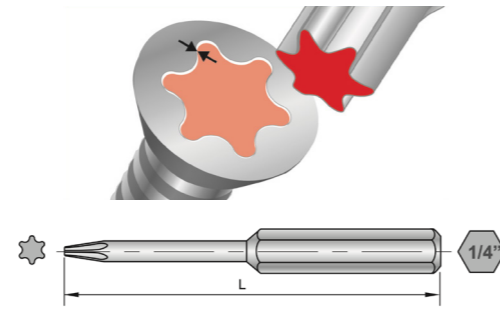


Baoje toolholder series that uses M5 screw: BJA-20, BJA-22, BJA-25, BJA-254, BJMA-22.



Baoje torque adapters to be used with: BJ-ADA-NO-3, BJ-ADA-NO-4, BJ-ADA-NO-5, BJ-ADA-NO-6, BJ-ADA-NO-8.

► **Product specification**
- TORX® TX screwdriver bit



BJ-BIT50-TX8 /

Item No.	Driver Size	Suit for Screw	N.W	L	Contents
BJ-BIT50-TX8	TX8	TORX®	53g	50	6 pcs

✓ Baoje torque adapters to be used with: BJ-ADA-NO-3.

BJ-BIT50-TX9 /

Item No.	Driver Size	Suit for Screw	N.W	L	Contents
BJ-BIT50-TX9	TX9	TORX®	55g	50	6 pcs

✓ Baoje torque adapters to be used with: BJ-ADA-NO-4.

BJ-BIT50-TX10 /

Item No.	Driver Size	Suit for Screw	N.W	L	Contents
BJ-BIT50-TX10	TX10	TORX®	55g	50	6 pcs

✓ Baoje torque adapters to be used with: BJ-ADA-NO-5.

BJ-BIT50-TX15 /

Item No.	Driver Size	Suit for Screw	N.W	L	Contents
BJ-BIT50-TX15	TX15	TORX®	55g	50	6 pcs

✓ Baoje torque adapters to be used with: BJ-ADA-NO-6, BJ-ADA-NO-8.

Baoje toolholders screw specifications comparison table

► Baoje toolholder screw specifications are M4 and M5, when toolholder uses M4 screw, then use H2.0 screwdriver bit, when toolholder uses M5 screw, then use H2.5 screwdriver bit.

BAOJE Toolholder Series	Screw
BJA-16	M4
BJA-17	M4
BJA-1905	M4
BJA-20	M5
BJA-22	M5
BJA-23	M4
BJA-25	M5
BJA-254	M5
BJA-32	M4
BJMA-22	M5
BJN-23	M4
BJJ-16	M4
BJR-22	M4 (old) / M5 (new)

CNC Systematic Micro Boring Tools | Torque Screwdriver

☎ +886-6-253-1237

📠 +886-6-211-6567

✉ service@baojetoool.com

🌐 <https://www.baojetoool.com>



BAOJE Industrial Co., Ltd.